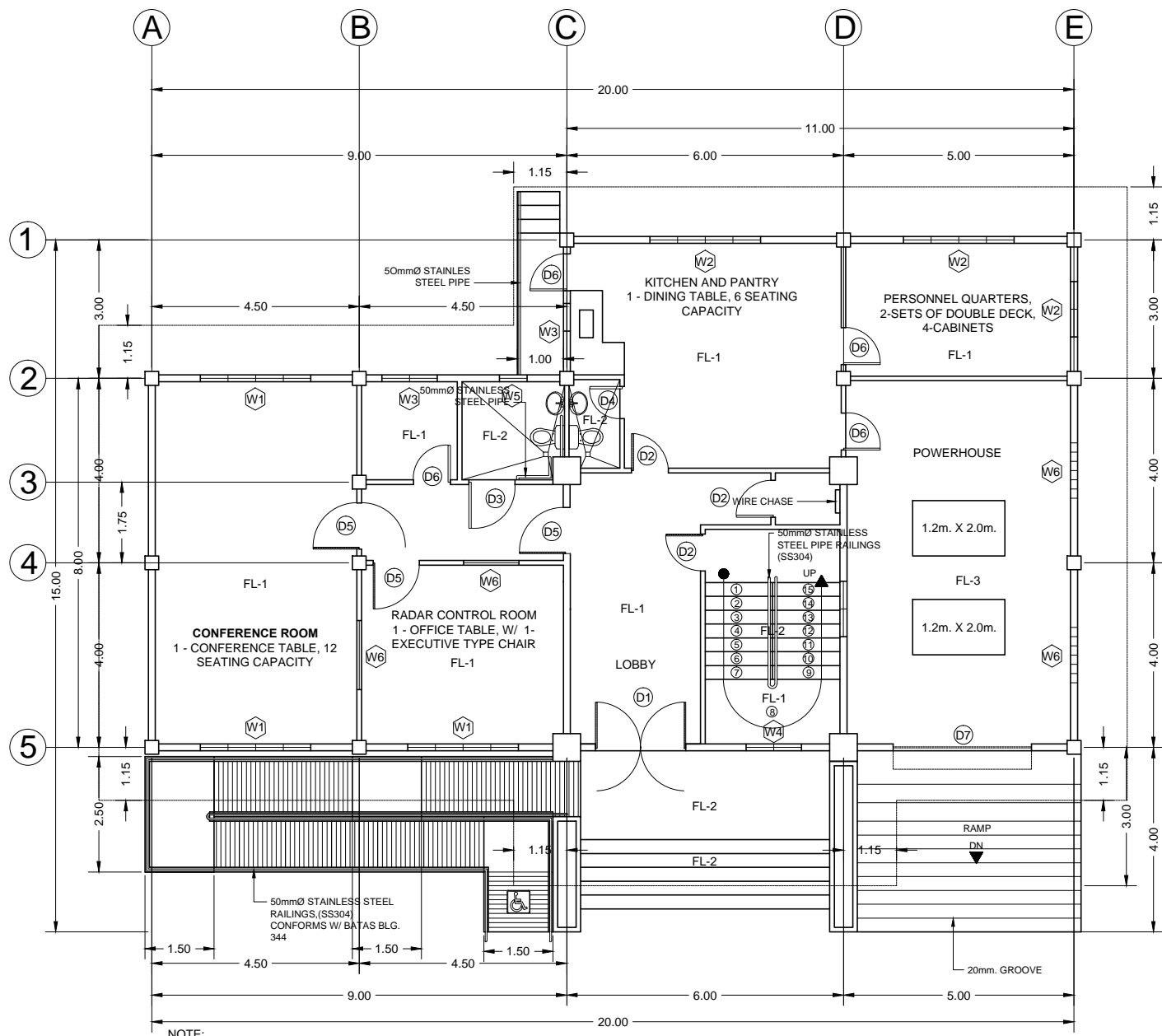
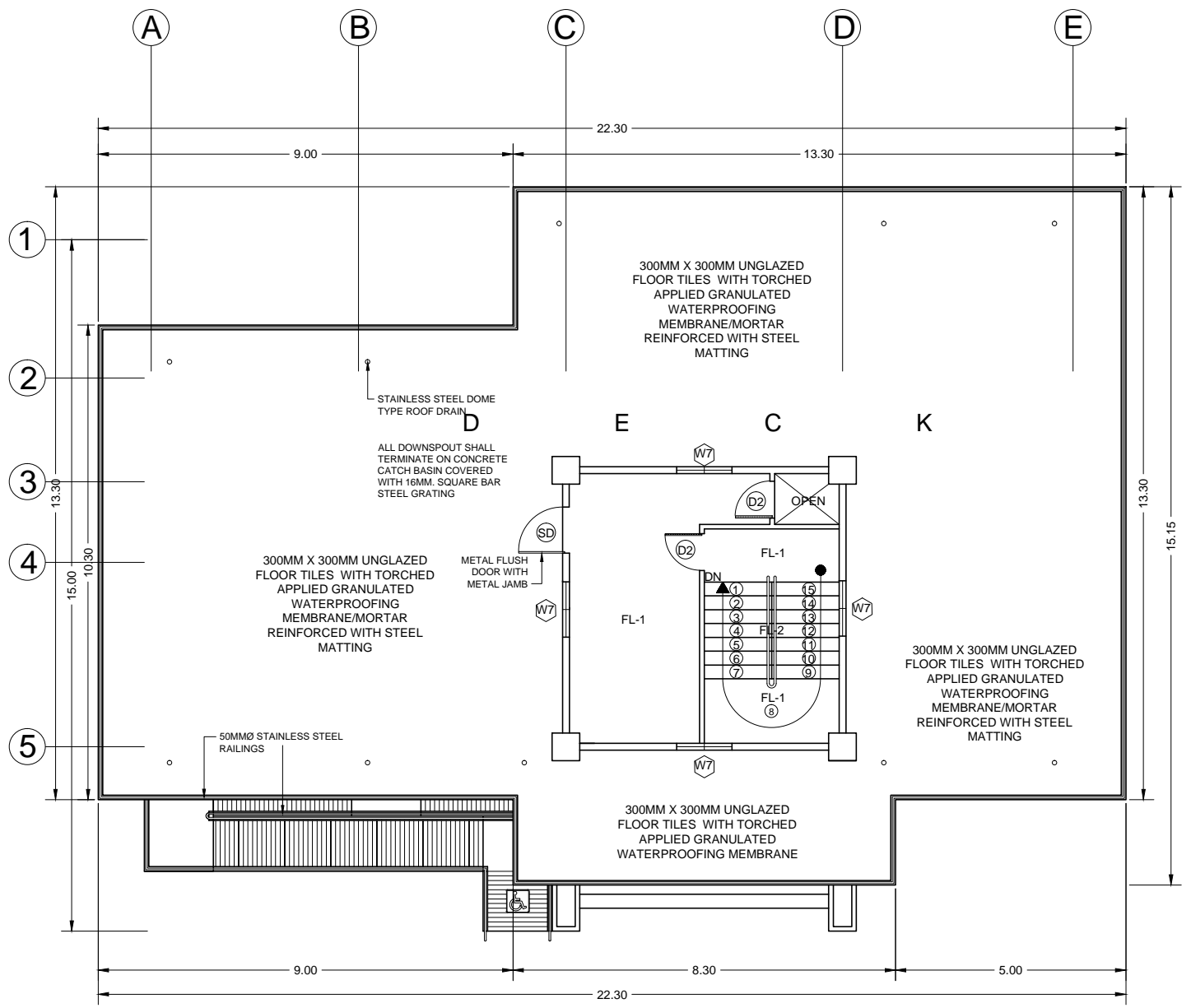
	PROJECT TITLE PROPOSED PAGASA AGNO PANGASINAN, DOPPLER RADAR TOWER	SHEET NO. A 1	DRAWN BY ENGR. BRIAN P. BUNGABONG WFS-1 INFRA UNIT	CHECKED BY ENGR. ROMEO M. PELAGIO OIC, INFRA UNIT	VERIFIED BY ENGR. JESSIE B. ARCE CHIEF, MEIES	NOTED BY ENGR. EDWIN F. MANRESA CHIEF, ETSO	RECOMMENDING APPROVAL ENGR. CATALINO L. DAVIS DA for AES	APPROVED DR. VICENTE B. MALANO ADMINISTRATOR
	LOCATION BRGY. PATAD, BARRIO BOBOY, MUNICIPALITY OF AGNO, PANGASINAN							



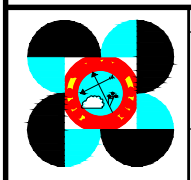
NOTE:
 6mm THK. 'HARDIFLEX LITE' FICEM BOARDS PAINTED FIN (VERIFY COLOR) ON Ga24 GALVANIZED METAL FURRING SPACED @ 600mm O.C. E.W.
 BOTTOM OF SLAB SOFFIT, PAINTED FINISH (POWERHOUSE) ALL WINDOWS SHALL BE 10MM.THK. TEMPERED GLASS ON uPVC FRAME

GROUND FLOOR PLAN

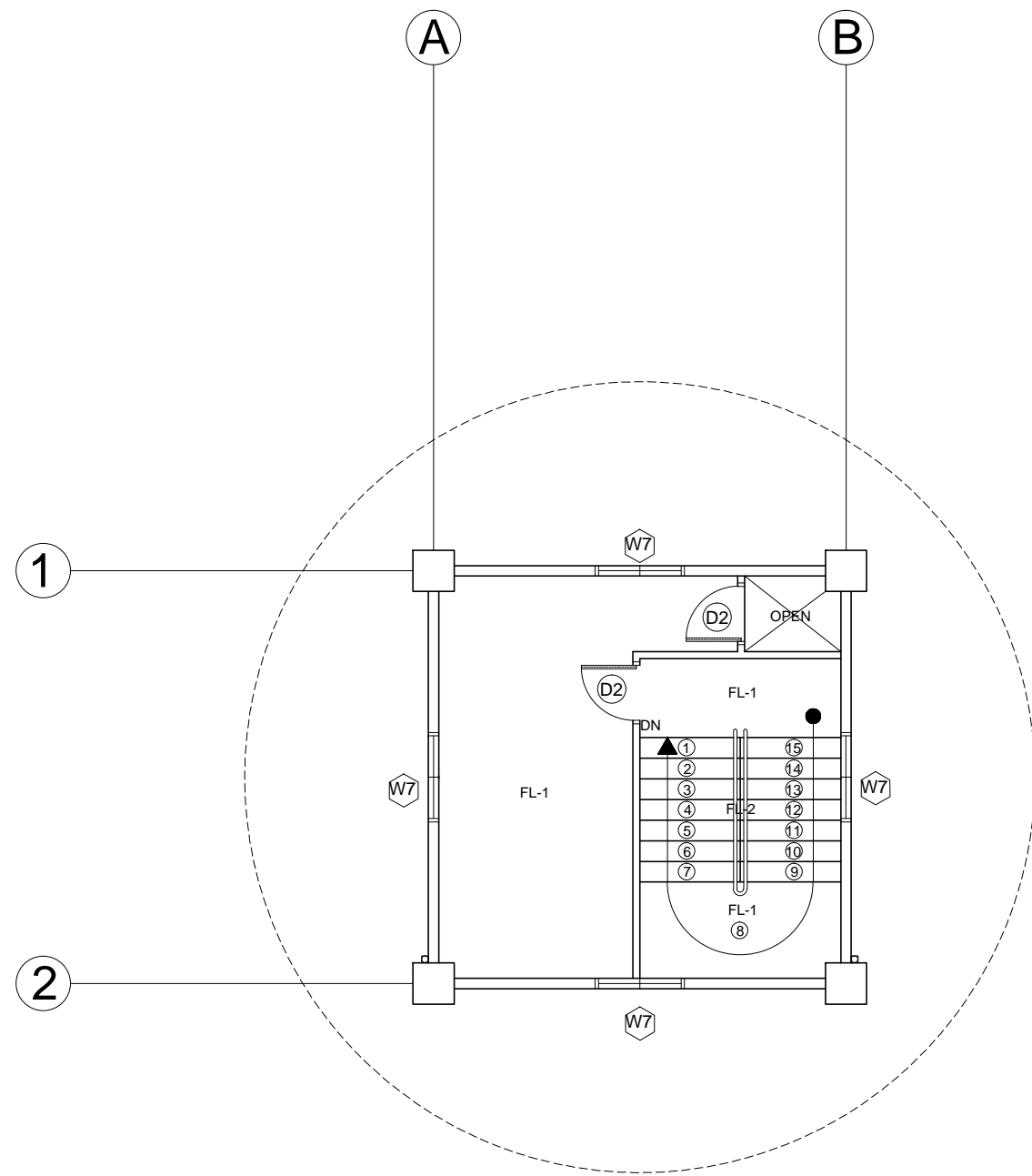


FL-1 600MM X 600MM GLAZED FLOOR TILES
 FL-2 600MM X 600MM UNGLAZED FLOOR TILES
 FL-3 RUBBERIZED PAINT COATED

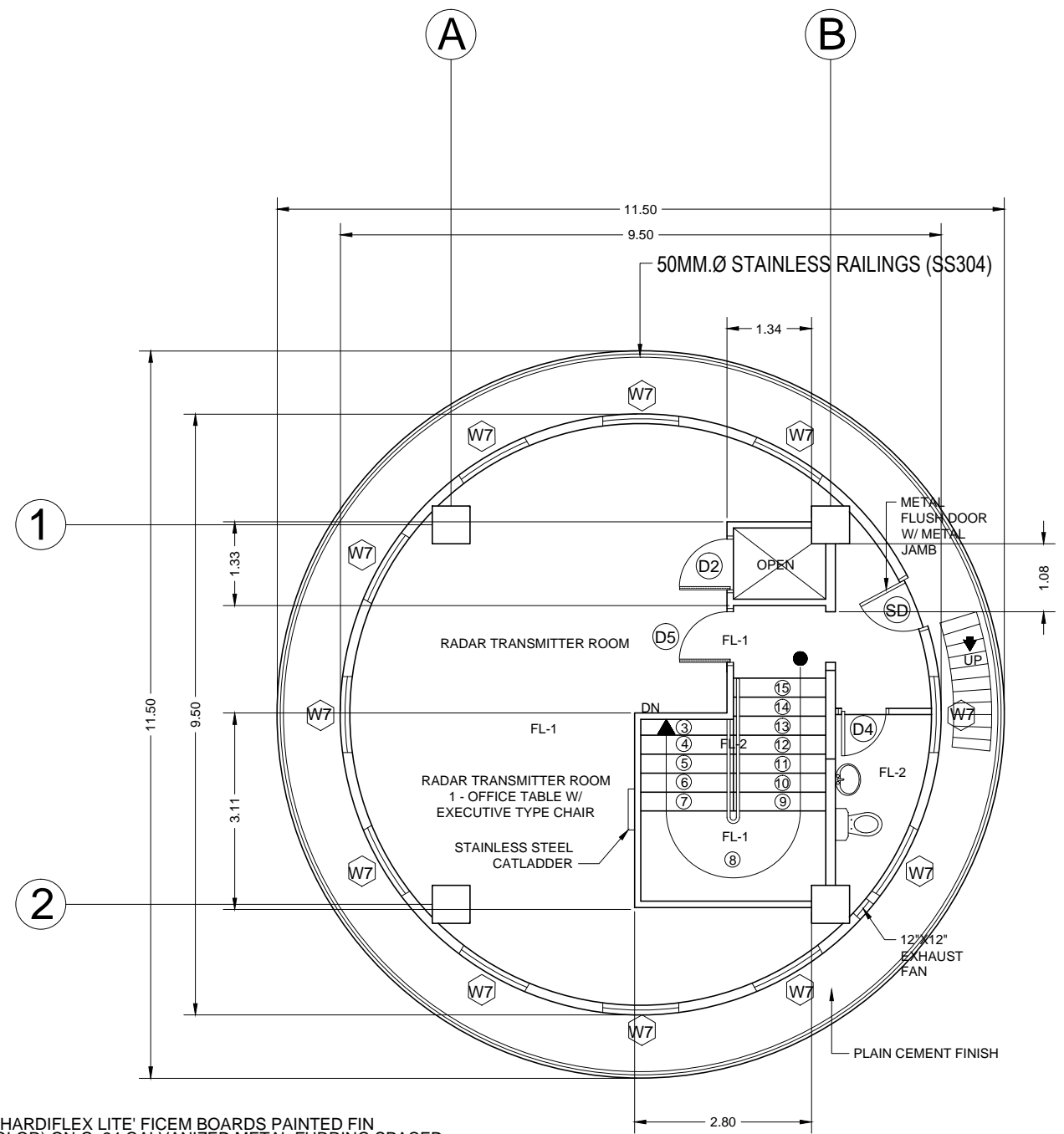
SECOND FLOOR PLAN



PROJECT TITLE	SHEET NO.	DRAWN BY	CHECKED BY	VERIFIED BY	NOTED BY	RECOMMENDING APPROVAL	APPROVED
PROPOSED PAGASA AGNO PANGASINAN, DOPPLER RADAR TOWER	A/2	ENGR. BRIAN P. BUNGABONG WFS-1 INFRA UNIT	ENGR. ROMEO M. PELAGIO OIC, INFRA UNIT	ENGR. JESSIE B. ARCE CHIEF, MEIES	ENGR. EDWIN F. MANRESA CHIEF, ETSD	ENGR. CATALINO L. DAVIS ADA for AES	DR. VICENTE B. MALANO ADMINISTRATOR
LOCATION							
BRGY. PATAD, BARRIO BOBOY, MUNICIPALITY OF AGNO, PANGASINAN							



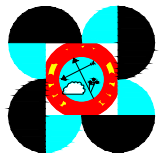
THIRD TO EIGHT FLOOR PLAN

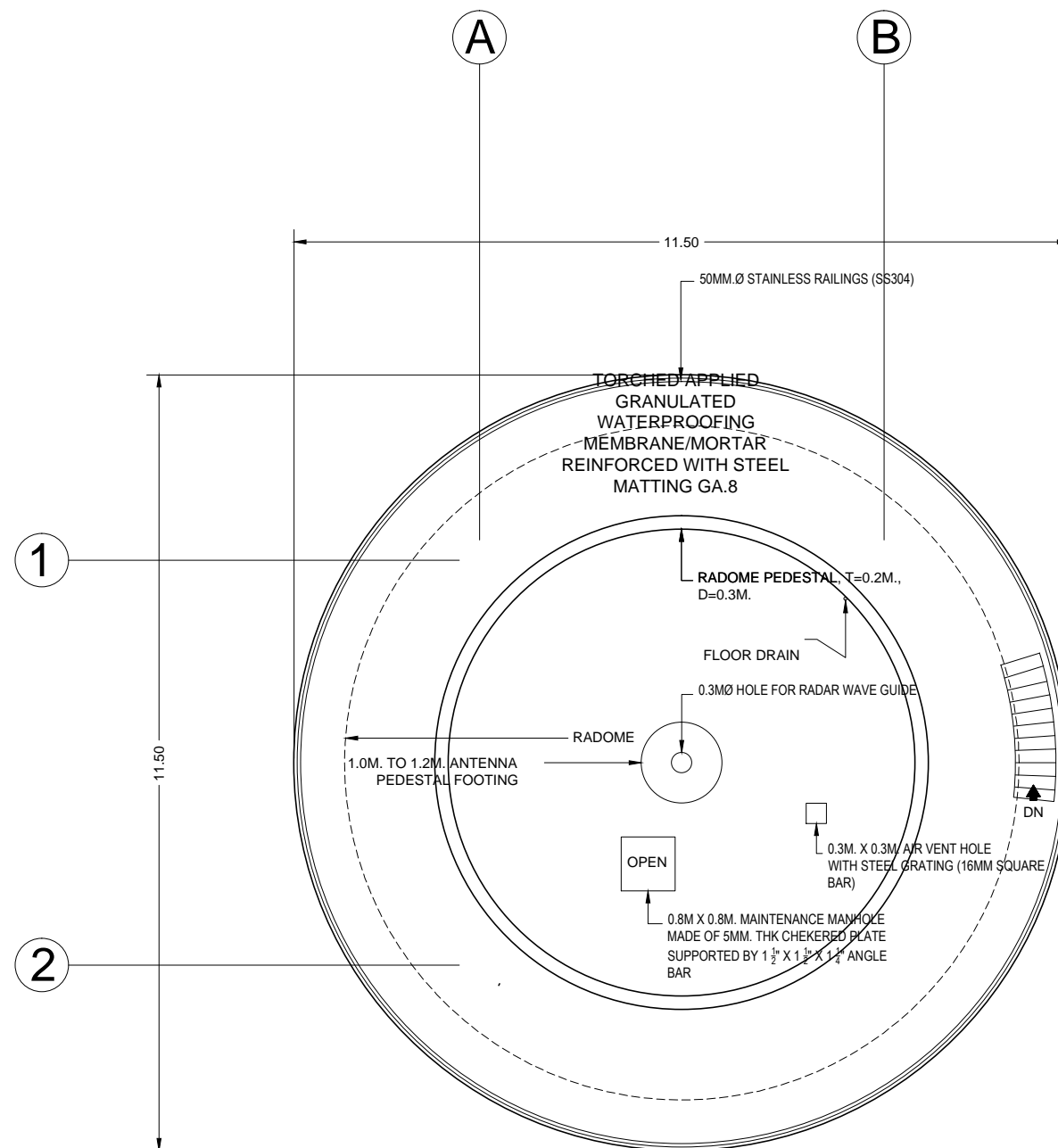


NINTH FLOOR PLAN

NOTE:
 6mm THK. 'HARDIFLEX LITE' FICEM BOARDS PAINTED FIN
 (VERIFY COLOR) ON Ga24 GALVANIZED METAL FURRING SPACED
 @ 600mm O.C. E.W.

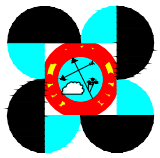
BOTTOM OF SLAB SOFFIT, PAINTED FINISH (STAIR & LANDING)

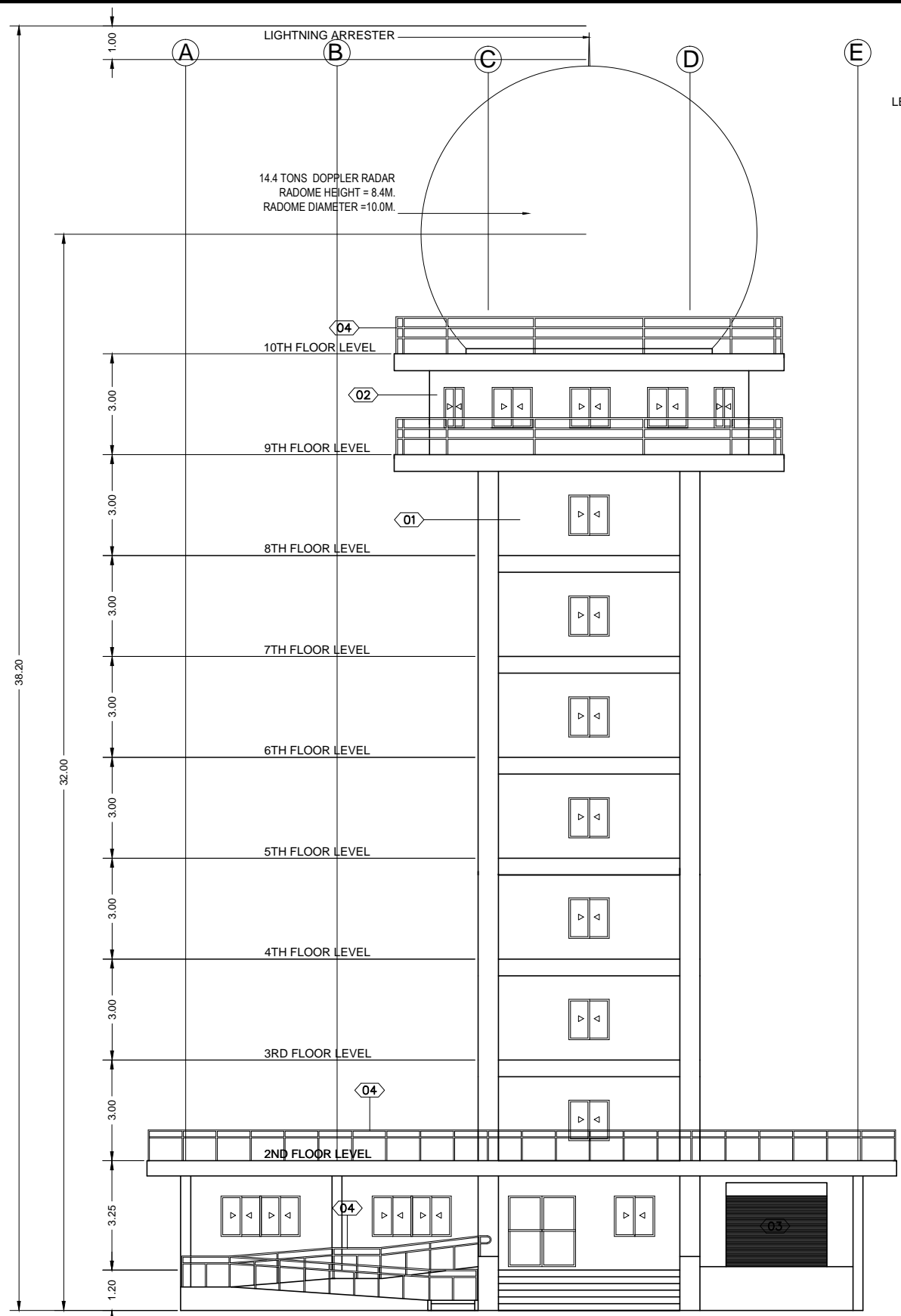
	PROJECT TITLE PROPOSED PAGASA AGNO PANGASINAN, DOPPLER RADAR TOWER	SHEET NO. A 3	DRAWN BY ENGR. BRIAN P. BUNGABONG WFS-1 INFRA UNIT	CHECKED BY ENGR. ROMEO M. PELAGIO OIC, INFRA UNIT	VERIFIED BY ENGR. JESSIE B. ARCE CHIEF, MEIES	NOTED BY ENGR. EDWIN F. MANRESA CHIEF, ETSD	RECOMMENDING APPROVAL ENGR. CATALINO L. DAVIS DA for AES	APPROVED DR. VICENTE B. MALANO ADMINISTRATOR
	LOCATION BRGY. PATAD, BARRIO BOBOY, MUNICIPALITY OF AGNO, PANGASINAN							



NOTE:
 6mm THK. 'HARDIFLEX LITE' FICEM BOARDS PAINTED FIN
 (VERIFY COLOR) ON Ga24 GALVANIZED METAL FURRING SPACED
 @ 600mm O.C. E.W.
 BOTTOM OF SLAB SOFFIT, PAINTED FINISH (STAIR & LANDING)

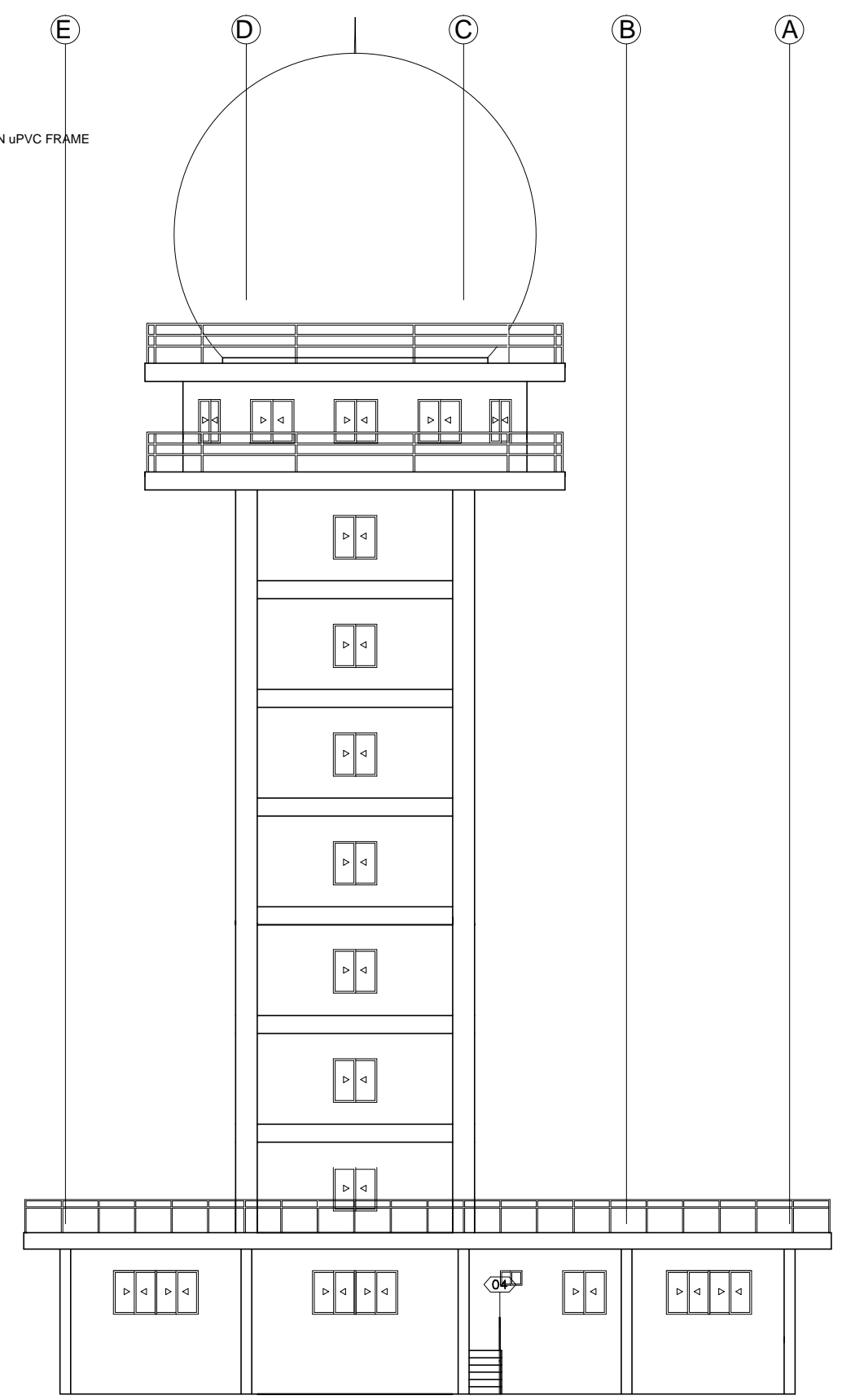
ROOF DECK FLOOR PLAN

PROJECT TITLE	SHEET NO.	DRAWN BY	CHECKED BY	VERIFIED BY	NOTED BY	RECOMMENDING APPROVAL	APPROVED
 PROPOSED PAGASA AGNO PANGASINAN, DOPPLER RADAR TOWER	A 4	ENGR. BRIAN P. BUNGABONG	ENGR. ROMEO M. PELAGIO	ENGR. JESSIE B. ARCE	ENGR. EDWIN F. MANRESA	ENGR. CATALINO L. DAVIS	DR. VICENTE B. MALANO
		WFS-1 INFRA UNIT	OIC, INFRA UNIT	CHIEF, MEIES	CHIEF, ETS/D	DA for AES	ADMINISTRATOR

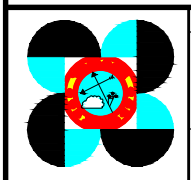


FRONT VIEW ELEVATION

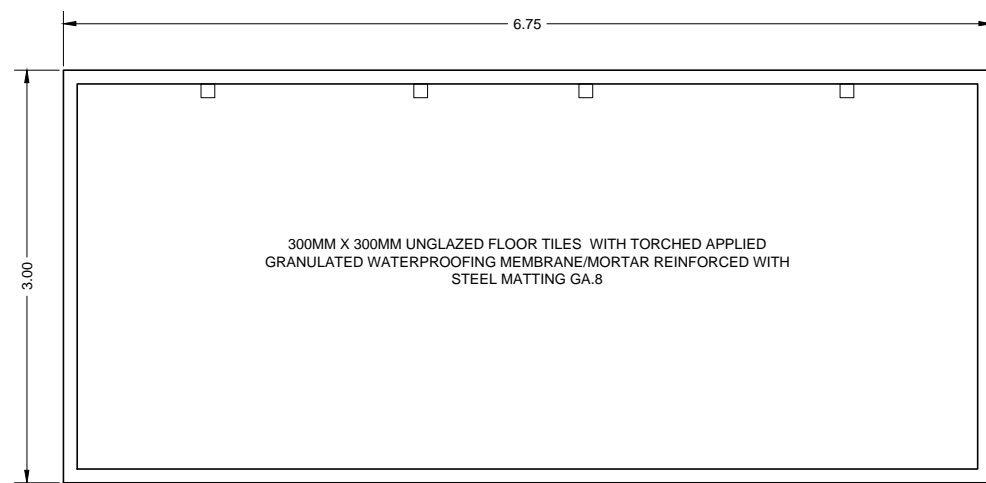
- LEGEND:
- 01 ACRYTEX PAINT FINISH
 - 02 10MM TEMPERED GLASS WINDOWS ON uPVC FRAME
 - 03 ALUMINUM ROLL-UP DOOR
 - 04 50mmØ STAINLESS STEEL PIPE



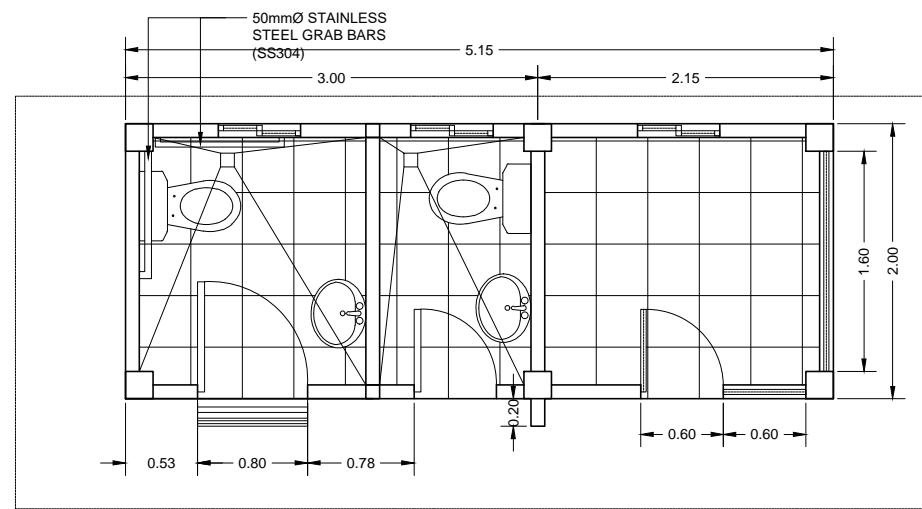
REAR VIEW ELEVATION



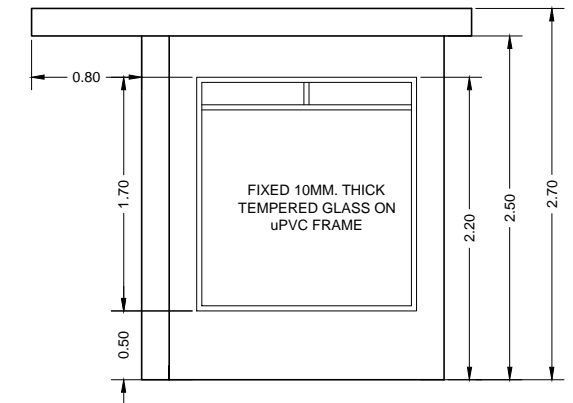
PROJECT TITLE PROPOSED PAGASA AGNO PANGASINAN, DOPPLER RADAR TOWER	SHEET NO. A 5	DRAWN BY	CHECKED BY	VERIFIED BY	NOTED BY	RECOMMENDING APPROVAL	APPROVED
		ENGR. BRIAN P. BUNGABONG WFS-1 INFRA UNIT	ENGR. ROMEO M. PELAGIO OIC, INFRA UNIT	ENGR. JESSIE B. ARCE CHIEF, MEIES	ENGR. EDWIN F. MANRESA CHIEF, ETSO	ENGR. CATALINO L. DAVIS DA for AES	DR. VICENTE B. MALANO ADMINISTRATOR
LOCATION BRGY. PATAD, BARRIO BOBOY, MUNICIPALITY OF AGNO, PANGASINAN							



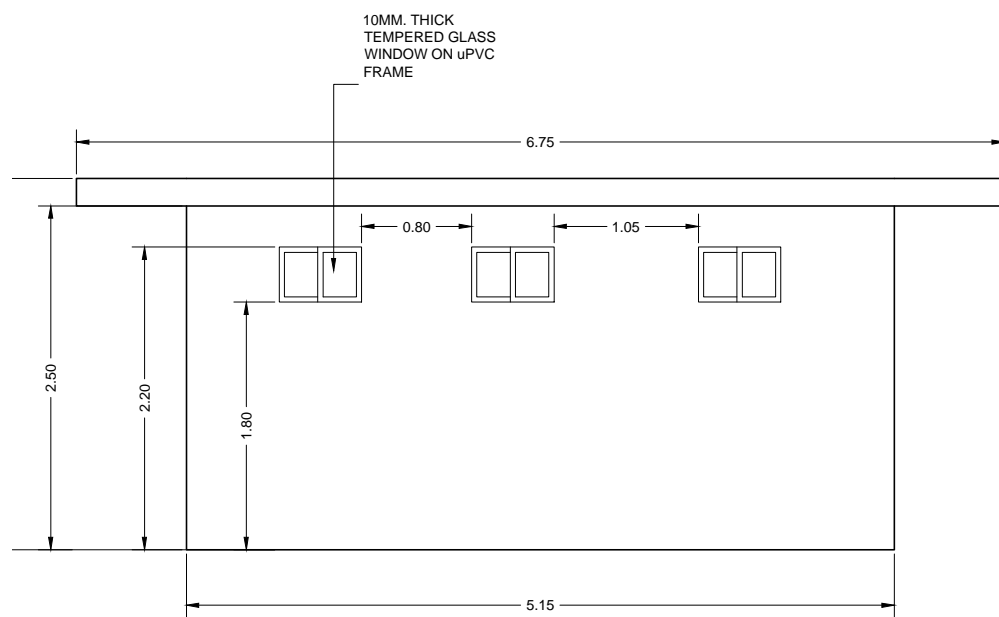
ROOF DECK PLAN



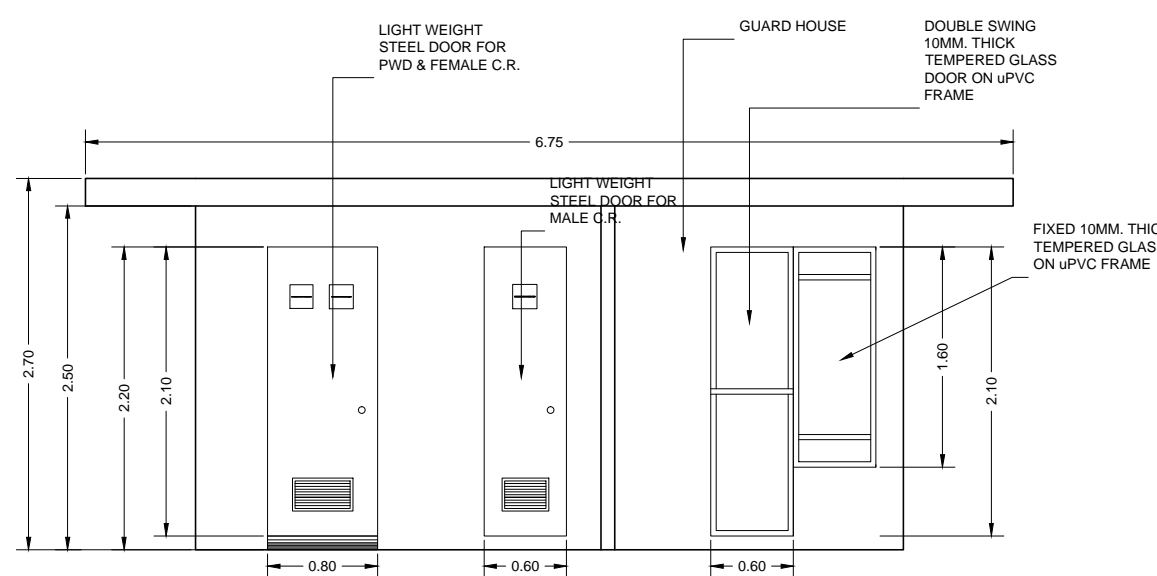
FLOOR PLAN



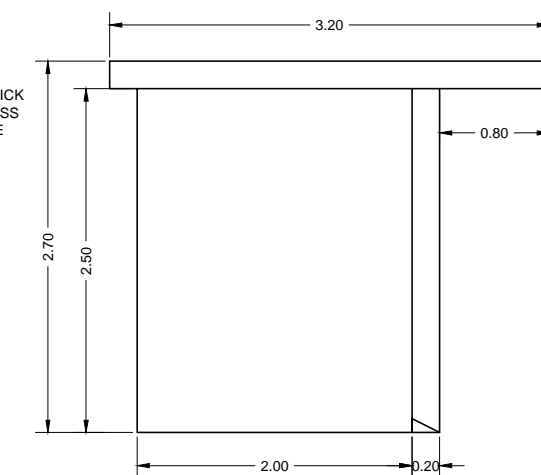
RIGHT SIDE VIEW ELEVATION



REAR VIEW

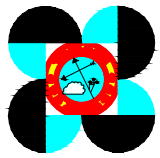


FRONT VIEW



LEFT SIDE VIEW ELEVATION

PUBLIC COMFORT ROOM AND GUARD HOUSE

	PROJECT TITLE PROPOSED PAGASA AGNO PANGASINAN, DOPPLER RADAR TOWER	SHEET NO. A 7	DRAWN BY	CHECKED BY	VERIFIED BY	NOTED BY	RECOMMENDING APPROVAL	APPROVED
	LOCATION BRGY. PATAD, BARRIO BOBOY, MUNICIPALITY OF AGNO, PANGASINAN		ENGR. BRIAN P. BUNGABONG WFS-1 INFRA UNIT	ENGR. ROMEO M. PELAGIO OIC, INFRA UNIT	ENGR. JESSIE B. ARCE CHIEF, MEIES	ENGR. EDWIN F. MANRESA CHIEF, ETSO	ENGR. CATALINO L. DAVIS DA for AES	DR. VICENTE B. MALANO ADMINISTRATOR