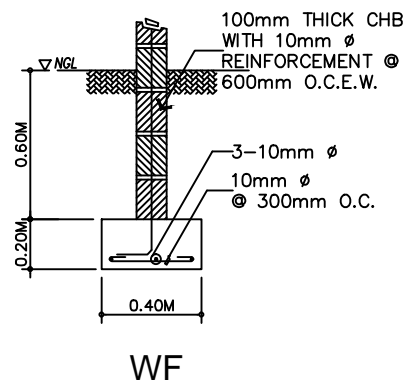
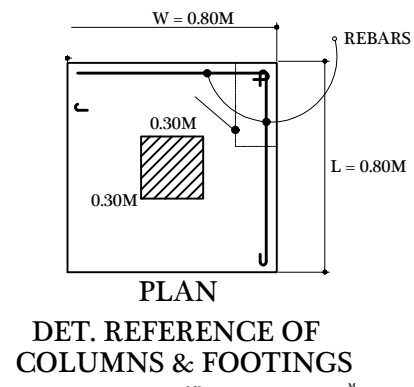


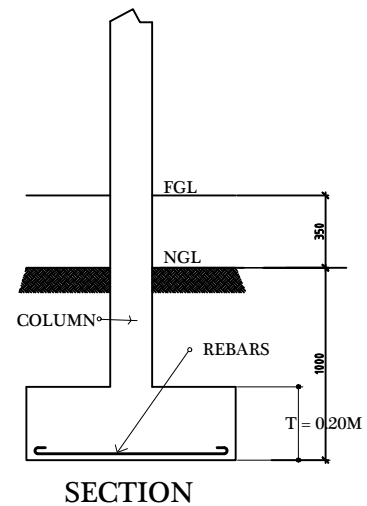
	OWNER:	ARCHITECT/ENGINEER:	ENGINEER:	PROJECT TITLE:	SHEET CONTENTS:	CAD BY:	REVISIONS		SHEET NO.		
	VICENTE B. MALANO, Ph.D. ADMINISTRATOR PAGASA	ROMEO M. PELAGIO OIC, INFRA-UNIT/ETSD		ROMEO M. PELAGIO OIC, INFRA-UNIT/ETSD		Construction of PAGASA Synoptic Bldg., Powerhouse Perimeter Fence and Observer's Quarter in Camiguin	SITE DEVELOPMENT PLAN	RMP		SD-1	
		REG. NO.	PTR NO.	REG. NO.	PTR NO.			CHECKED:	DATE		MARK/DESCRIPTION
		ISSUED ON:	ISSUED AT:	ISSUED ON:	ISSUED AT:			DATE:	APR, 2018		ARCHITECTURAL



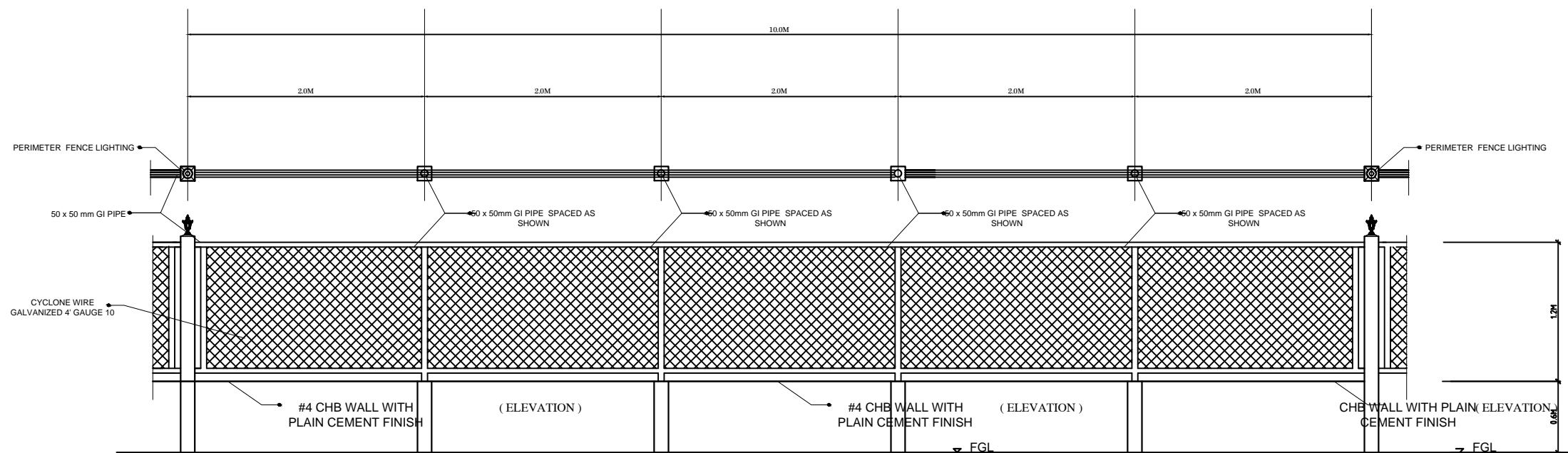
**3 WALL FOOTING DETAILS**  
 SD-2 SCALE 1:10 Mts.



**DET. REFERENCE OF COLUMNS & FOOTINGS**  
 PLAN SCALE 1:20 Mts.

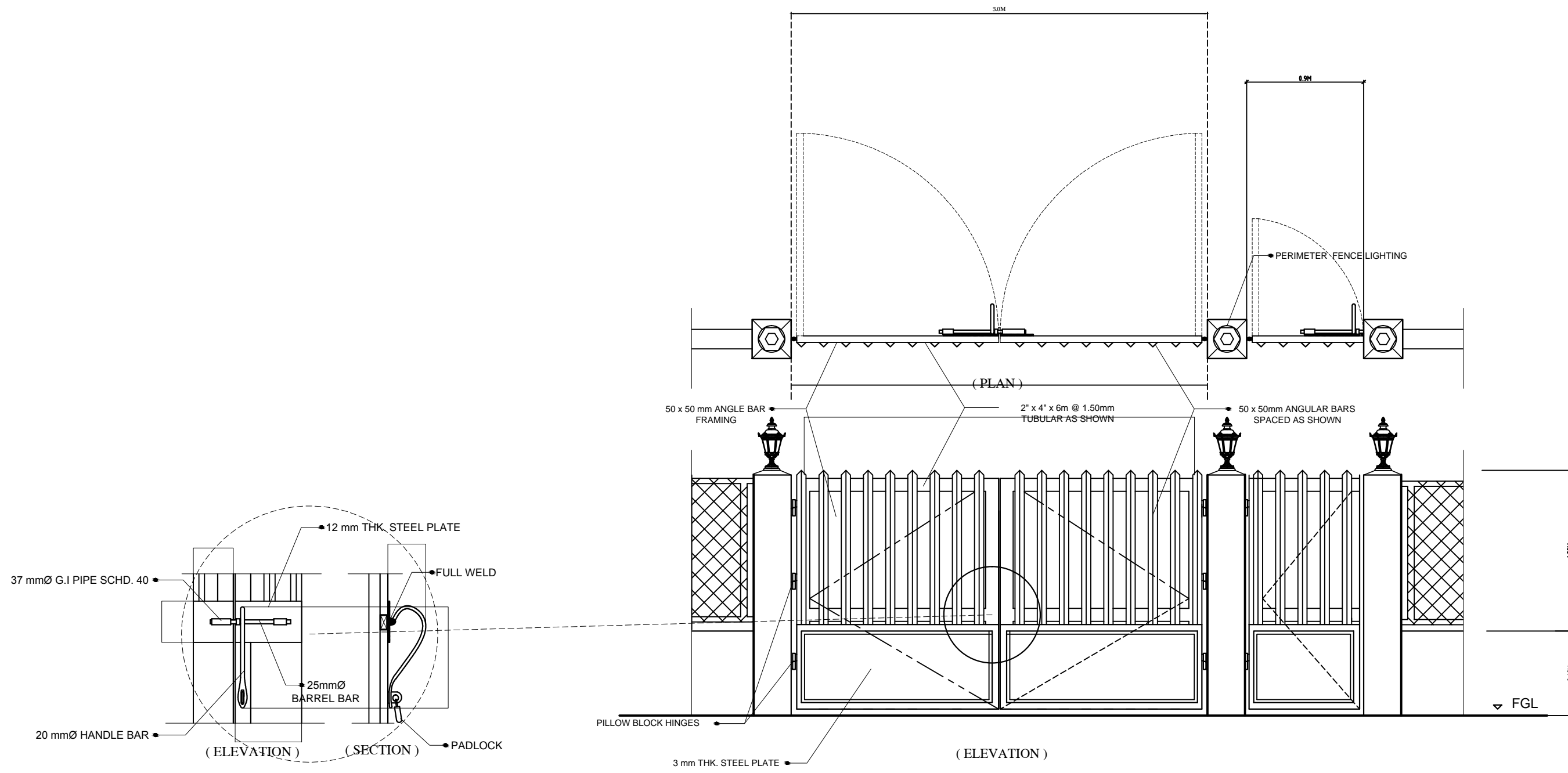


**2 COLUMN FOOTING DETAILS**  
 SD-2 SCALE 1:20 Mts.



**2 PARTIAL DETAIL OF PERIMETER FENCE**  
 SD-2 SCALE 1:50 MTS

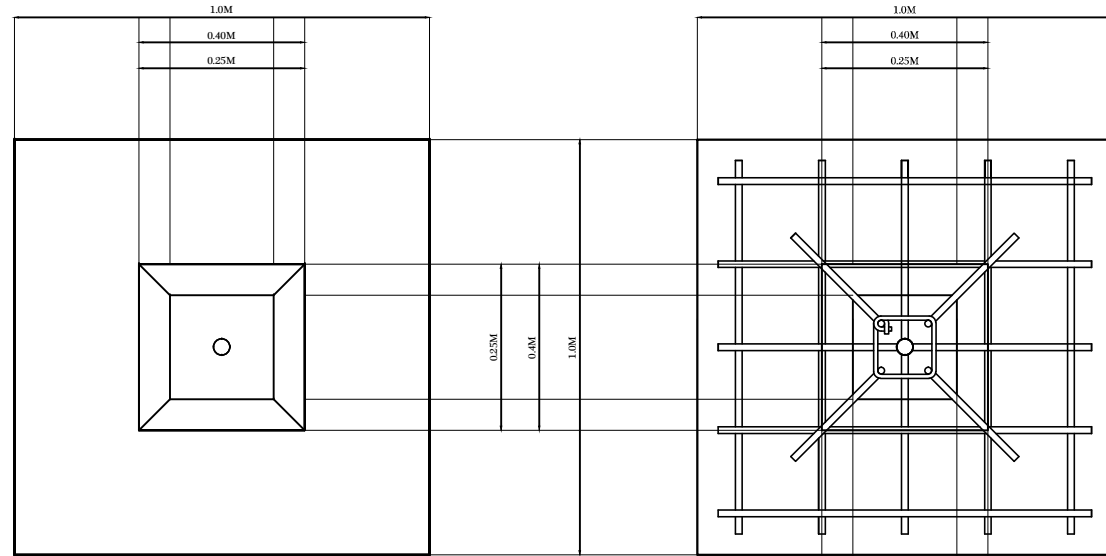
	OWNER:	ARCHITECT/ENGINEER:	ENGINEER:	PROJECT TITLE:	SHEET CONTENTS:	CAD BY:	REVISIONS		SHEET NO.
	VICENTE B. MALANO, Ph.D. ADMINISTRATOR PAGASA	ROMEO M. PELAGIO OIC, INFRA-UNIT/ETSD	ROMEO M. PELAGIO OIC, INFRA-UNIT/ETSD	CONSTRUCTION OF PERIMETER FENCE	PARTIAL DETAIL OF PERIMETER FENCE, COLUMN FOOTING & WALL FOOTING	RMP	DATE	MARK/DESCRIPTION	SD-2 ARCHITECTURAL
	REG. NO.	PTR NO.	REG. NO.	PTR NO.	CHECKED:				
	ISSUED ON:	ISSUED AT:	ISSUED ON:	ISSUED AT:	DATE:				
				APR, 2018					



**3**  
**SD-3** **DETAIL OF BARREL BOLT**  
SCALE 1:20 MTS

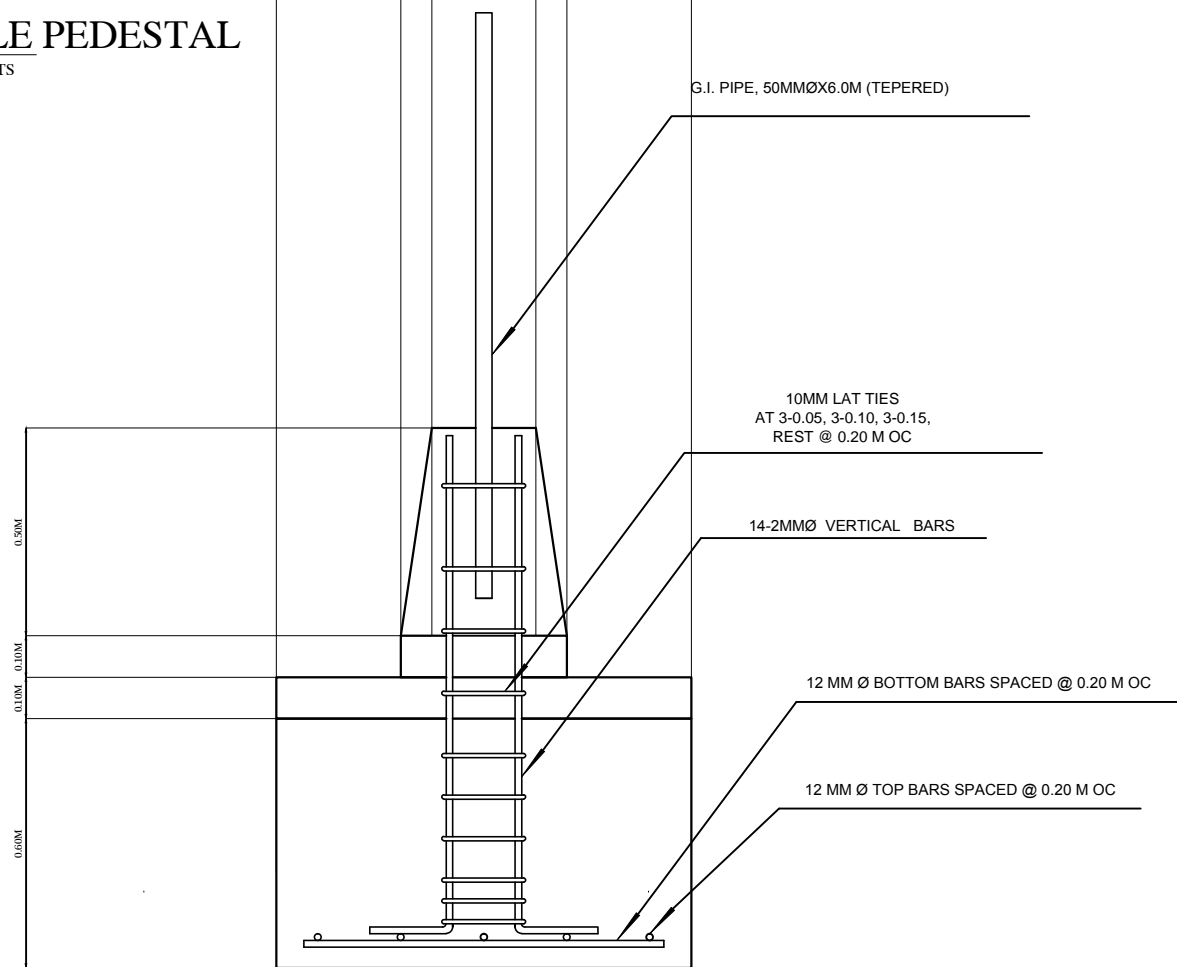
**3**  
**SD-3** **DETAIL OF STEEL GATE**  
SCALE 1:50 MTS

<p>REPUBLIC OF THE PHILIPPINES DEPARTMENT OF SCIENCE AND TECHNOLOGY PHILIPPINE ATMOSPHERIC GEOPHYSICAL AND ASTRONOMICAL SERVICES ADMINISTRATION (PAGASA) SCIENCE GARDEN, AGHAM ROAD, DILIMAN, QUEZON CITY 1100</p>	OWNER:	ARCHITECT/ENGINEER:	ENGINEER:	PROJECT TITLE:	SHEET CONTENTS:	CAD BY:	REVISIONS		SHEET NO.
	VICENTE B. MALANO, Ph.D. ADMINISTRATOR PAGASA	TRISTAN R. PACIA WFT-1, INFRA-UNIT/ETSD	ROMEO M. PELAGIO OIC, INFRA-UNIT/ETSD	CONSTRUCTION OF PERIMETER FENCE	DETAIL OF STEEL GATE & BARREL BOLT	RMP	DATE	MARK/DESCRIPTION	SD-3 ARCHITECTURAL
	REG. NO.	PTR NO.	REG. NO.	PTR NO.	DATE:	CHECKED:			
	ISSUED ON:	ISSUED AT:	ISSUED ON:	ISSUED AT:	APR, 2018				

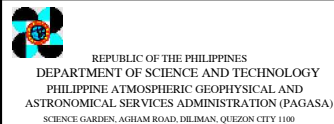


**4**  
**SD-4** **DETAIL OF STEEL FLAG POLE PEDESTAL**  
SCALE 1:50 MTS

**4**  
**SD-4** **TOP VIEW OF FLAG POLE PEDESTAL**  
SCALE 1:50 MTS



**4**  
**SD-4** **DETAIL OF FOOTING FOUNDATION**  
SCALE 1:50 MTS



OWNER:  
**VICENTE B. MALANO, Ph.D.**  
ADMINISTRATOR PAGASA

ARCHITECT/ENGINEER:  
**TRISTAN R. PACIA**  
WFT-1, INFRA-UNIT/ETSD

ENGINEER:  
**ROMEO M. PELAGIO**  
OIC, INFRA-UNIT/ETSD

PROJECT TITLE:  
CONSTRUCTION OF FLAG POLE  
  
CAMIGUIN

SHEET CONTENTS:  
DETAIL OF FOOTING FOUNDATION &  
FLAG POLE PEDESTAL

CAD BY:  
RMP  
CHECKED:  
DATE:  
APR, 2018

REVISIONS	
DATE	MARK/DESCRIPTION

SHEET NO.  
**SD-4**  
ARCHITECTURAL