

DISTRICT CITY MUNICIPALITY

LINE & GRADE

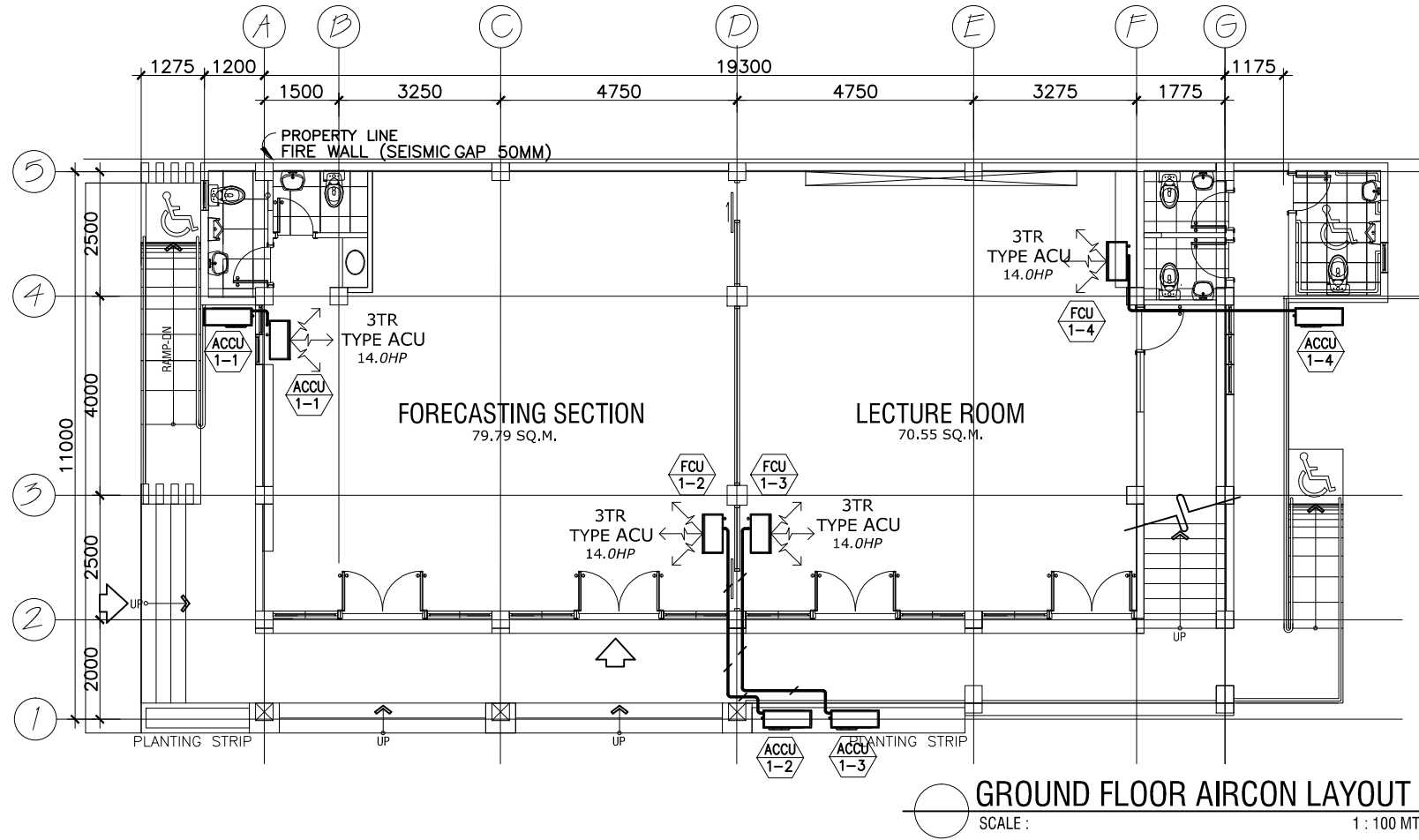
ARCHITECTURAL

STRUCTURAL

SANITARY

ELECTRICAL

MECHANICAL



OWNER:  
PHILIPPINE ATMOSPHERIC,  
GEOPHYSICAL AND ASTRONOMICAL  
SERVICES ADMINISTRATION (PAGASA)

ARCHITECT/ENGINEER:  
**MELVIN D. ALMOJUELA**

ENGINEER:  
**ROMEO M. PELAGIO**

PROJECT TITLE:  
PROPOSED:  
**SLPRSD BUILDING**  
PAGASA AIRPORT SITE, LEGAZPI CITY

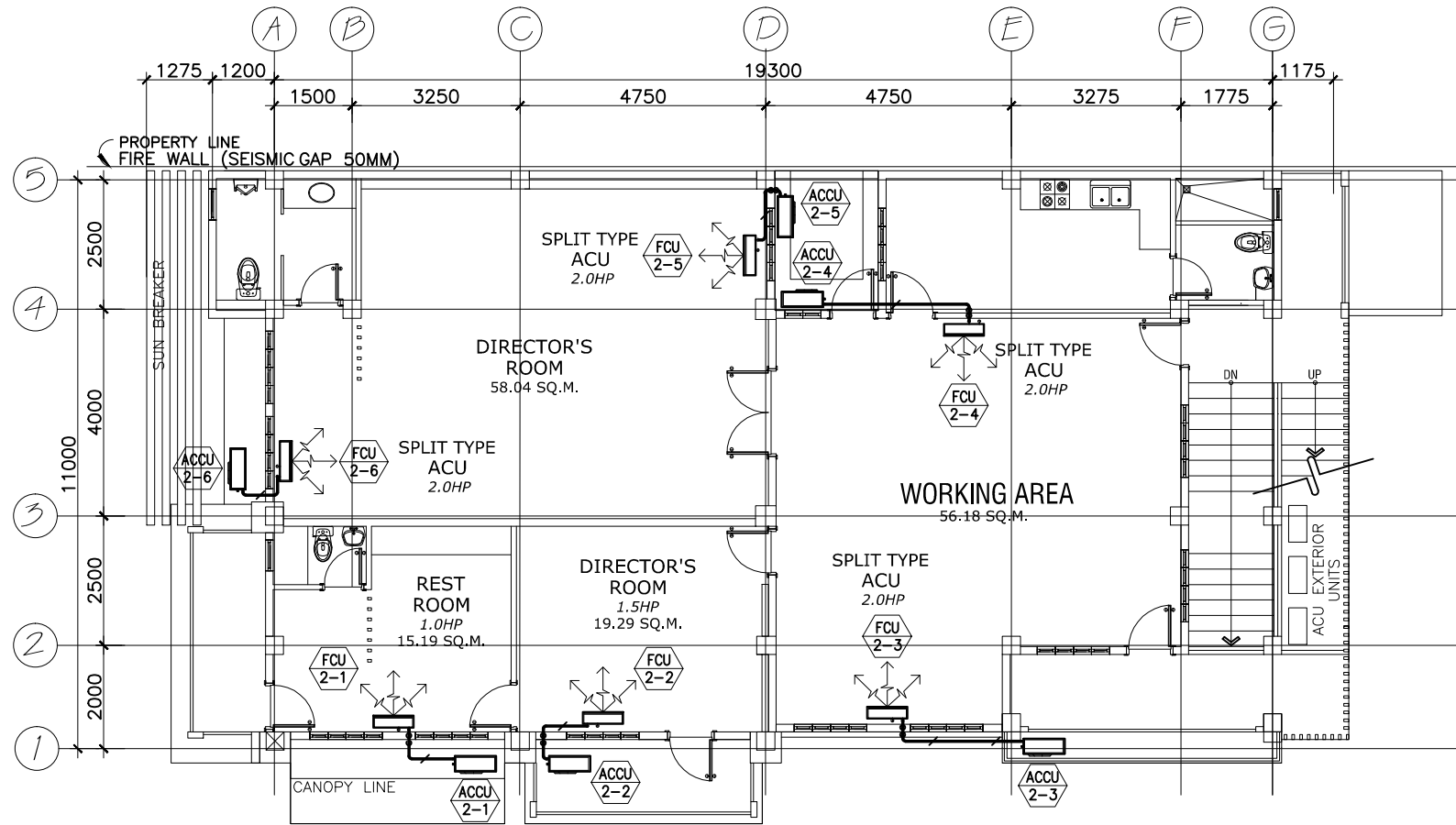
SHEET CONTENTS:  
GROUND FLOOR AIRCON LAYOUT

CAD BY:  
CHECKED BY:  
DATE:

REVISIONS	
DATE	

SHEET CONTENT  
**A-71**

REG. NO.	PTR NO.	REG. NO. 9492132	PTR NO. 0043068
ISSUED ON:	ISSUED AT:	ISSUED ON: 01/09/14	ISSUED AT: ROD, RIZAL



**SECOND FLOOR AIRCON LAYOUT**  
 SCALE: 1 : 100 MTS.

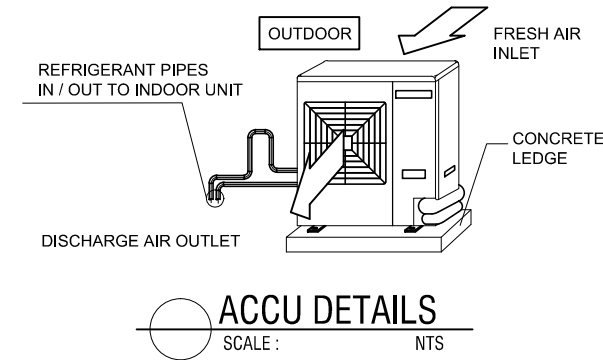
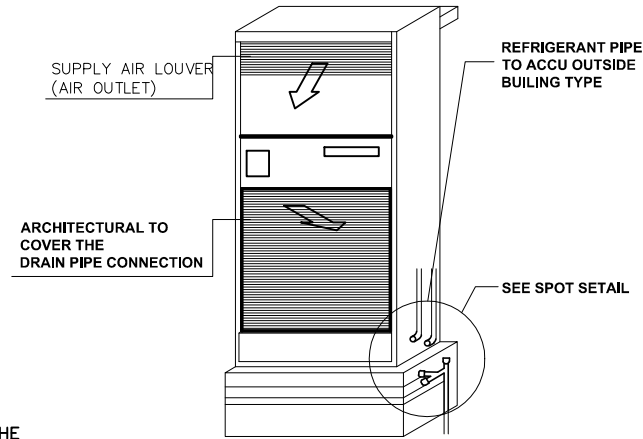
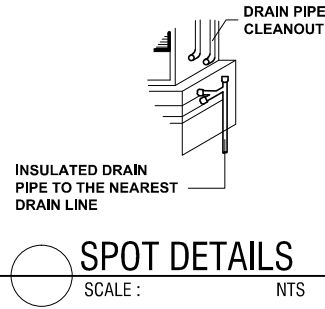
DISTRICT	CITY	MUNICIPALITY
LINE & GRADE		
ARCHITECTURAL		
STRUCTURAL		
SANITARY		
ELECTRICAL		
MECHANICAL		



OWNER:  PHILIPPINE ATMOSPHERIC, GEOPHYSICAL AND ASTRONOMICAL SERVICES ADMINISTRATION (PAGASA)	ARCHITECT/ENGINEER:	ENGINEER:	PROJECT TITLE:	SHEET CONTENTS:	CAD BY:	REVISIONS		SHEET CONTENT
	MELVIN D. ALMOJUELA	ROMEO M. PELAGIO	PROPOSED:	SECOND FLOOR AIRCON LAYOUT	CHECKED BY:	DATE		A-72
	REG. NO.	PTR NO.	REG. NO. 9492132	PTR NO. 0043068	DATE:			
	ISSUED ON:	ISSUED AT:	ISSUED ON: 01/09/14	ISSUED AT: ROD, RIZAL				
SLPRSD BUILDING PAGASA AIRPORT SITE, LEGAZPI CITY								

**LEGENDS:**

_____	REFRIGERANT PIPE LINE
_____	CEILING EXHAUST PIPE
○	FAN COIL UNIT
○	AIR COOLED CONDENSING UNIT
○	CEILING EXHAUST FAN
○	PIPE DOWN
○	PIPE UP
○	PIPE PASS THRU WALL



**GENERAL NOTES:**

ALL MECHANICAL WORKS & INSTALLATIONS SHALL COMPLY WITH THE PROVISION OF THE LATEST EDITION OF THE PSME CODE, ASHRAE STANDARD, THE NATIONAL BUILDING CODE OF THE PHILIPPINES AND THE LOCAL BUILDING CODE OF THIS CITY.

WORKMANSHIP OF THE WORK THROUGHOUT ARE EXECUTED IN THE BEST AND THE MOST THOROUGH MANNER KNOWN TO TRADE AND TO THE SATISFACTION OF THE ENGINEER OR THE ARCHTTECT.

THE CONTRACTOR SHALL VISIT PRIOR TO COMMENCEMENT OF WORK, TO VERIFY ALL EXISTING CONDITIONS. ANY CONFLICTS, PROBLEMS OR DIFFICULTIES SHALL BE COORDINATED EARLY TO THE ENGINEER OR THE ARCHITECT. THE CONTRACTOR SHALL COORDINATE WITH HIS WORKS RELATIVELY TO THE WORKS OF OTHER TRADES.

ALL MECHANICAL MATERIALS AND EQUIPMENTS SHALL BE BRAND NEW AND OF APPROVED QUALITY STANDARD APPROPRIATE FOR BOTH LOCATION AND INTENDED PURPOSES.

ALL MATERIALS / EQUIPMENT SHALL BE INSTALLED IN APPROXIMATE LOCATION AS SHOWS IN THE PLANS OR DRAWING.

ALL MECHANICAL WORKS AND INSTALLATIONS SHALL BE UNDER THE DIRECT SUPERVISION OF A DULY LICENSED MECHANICAL ENGINEER.

ALL INSTALLATION OF THE WHOLE FIRE SPRINKLER SYSTEM HEREIN SHALL IN ACCORDANCE WITH NFPA 13, 14 AND 20.

ALL PIPES SHALL BE CLEANED PRIOR TO INSTALLATION, USE PENDENT TYPE SPRINKLER HEAD, AND SHALL BE OF HIGH QUALITY AND OF APPROVED TESTED TYPE.

ALL BRANCH PIPE SHALL BE TAPPED TO THE NEAREST MAIN SUPPLY LINE. USE 25MM Ø G.I.P AND 32MM Ø NEAR MAIN PIPE LINE. ALL CONNECTIONS, JOINTS MUST BE SEALED UNDER PRESSURE. PROVIDE DRAIN VALVE.

SMOKE DETECTORS SHALL BE CONNECTED TO NEAREST OR DESIGNATED TAPPING POINT. THE CONTRACTOR OR INSTALLER SHALL LOCATE ACCURATE TAPPING POINT.

DISTRICT CITY MUNICIPALITY

LINE & GRADE

ARCHITECTURAL

STRUCTURAL

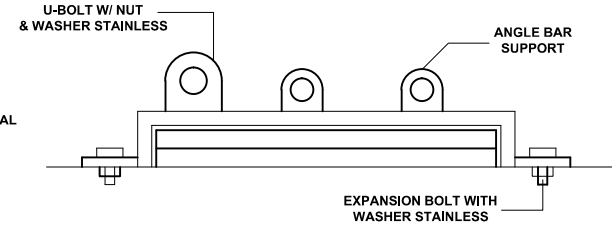
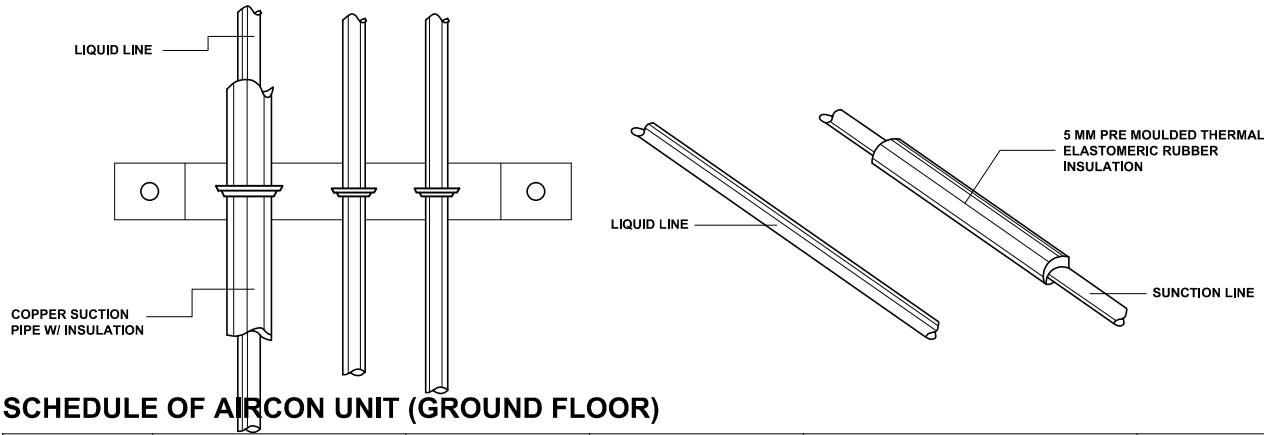
SANITARY

ELECTRICAL

MECHANICAL

	OWNER:	ARCHITECT/ENGINEER:	ENGINEER:	PROJECT TITLE:	SHEET CONTENTS:	CAD BY:	REVISIONS		SHEET CONTENT	
	PHILIPPINE ATMOSPHERIC, GEOPHYSICAL AND ASTRONOMICAL SERVICES ADMINISTRATION (PAGASA)	MELVIN D. ALMOJUELA	ROMEO M. PELAGIO	PROPOSED:	FCU DETAIL (3 TONNER TYPE) ACCU DETAILS	CHECKED BY:	DATE		<b>A-73</b>	
		REG. NO.	PTR NO.	REG. NO. 9492132		PTR NO. 0043068	DATE:			
		ISSUED ON:	ISSUED AT:	ISSUED ON: 01/09/14		ISSUED AT: ROD, RIZAL				
SLPRSD BUILDING PAGASA AIRPORT SITE, LEGAZPI CITY										

DISTRICT \_\_\_\_\_ CITY \_\_\_\_\_ MUNICIPALITY \_\_\_\_\_

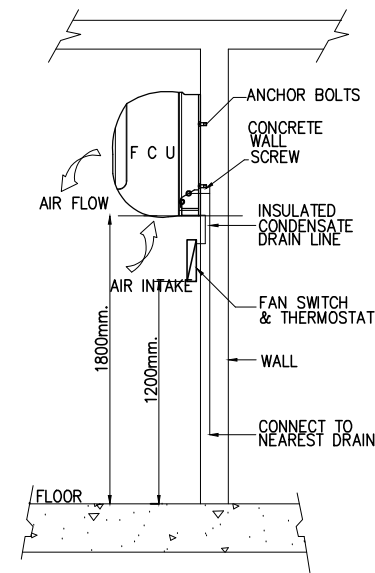


**SCHEDULE OF AIRCON UNIT (GROUND FLOOR)**

MARK	TYPE	QUANTITY	LOCATION	COOLING CAPACITY (BTNH)	SUPLT AIR CFM
FCU - 01	PACKAGE TYPE	01	GROUND FLR.	3TR	900
FCU - 02	PACKAGE TYPE	01	GROUND FLR.	3TR	900
FCU - 03	PACKAGE TYPE	01	GROUND FLR.	3TR	900
FCU - 04	PACKAGE TYPE	01	GROUND FLR.	3TR	900

**SCHEDULE OF AIRCON UNIT (SECOND FLOOR)**

MARK	TYPE	QUANTITY	LOCATION	COOLING CAPACITY (HP)
FCU - 01	SPLIT TYPE	01	2ND FLR.	1HP
FCU - 02	SPLIT TYPE	01	2ND FLR.	1.5HP
FCU - 03	SPLIT TYPE	01	2ND FLR.	2HP
FCU - 04	SPLIT TYPE	01	2ND FLR.	2HP
FCU - 05	SPLIT TYPE	01	2ND FLR.	2HP
FCU - 06	SPLIT TYPE </td <td>01</td> <td>2ND FLR.</td> <td>2HP</td>	01	2ND FLR.	2HP



**WALL MOUNTED FAN COIL UNIT DETAIL**  
NOT TO SCALE

LINE & GRADE

ARCHITECTURAL

STRUCTURAL

SANITARY

ELECTRICAL

MECHANICAL

	OWNER:	ARCHITECT/ENGINEER:	ENGINEER:	PROJECT TITLE:	SHEET CONTENTS:	CAD BY:	REVISIONS		SHEET CONTENT
	PHILIPPINE ATMOSPHERIC, GEOPHYSICAL AND ASTRONOMICAL SERVICES ADMINISTRATION (PAGASA)	MELVIN D. ALMOJUELA	ROMEO M. PELAGIO	PROPOSED:	SCHEDULE OF AIRCON UNIT (GROUND FLOOR) SCHEDULE OF AIRCON UNIT (SECOND FLOOR) WALL MOUNTED FAN COIL UNIT DETAIL	CHECKED BY:	DATE		<h1>A-74</h1>
		REG. NO.	PTR NO.	REG. NO. 9492132	PTR NO. 0043068	DATE:			
		ISSUED ON:	ISSUED AT:	ISSUED ON: 01/09/14	ISSUED AT: ROD.,RIZAL				